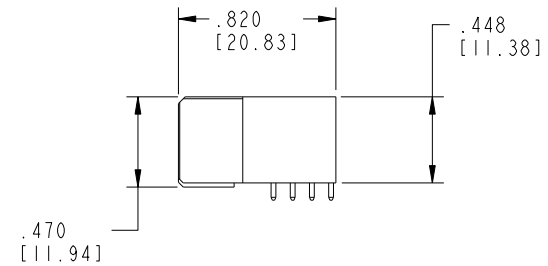
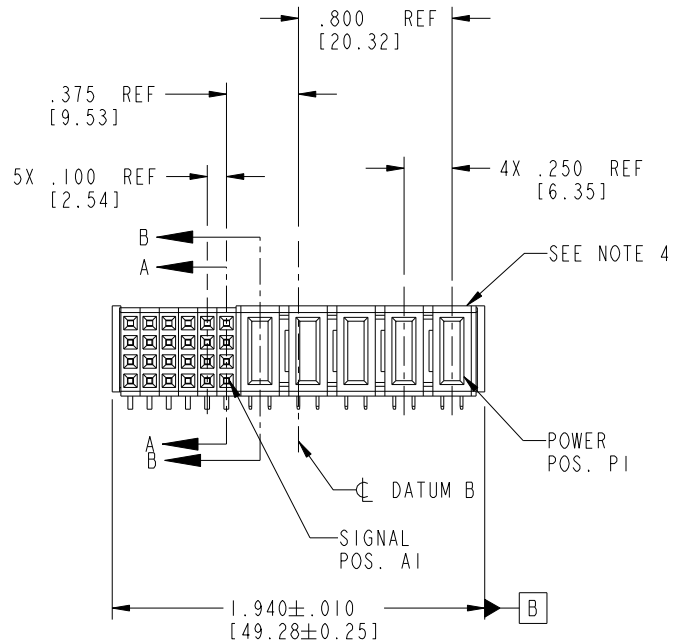


Tous droits strictement réservés. Reproduction ou communication a des tiers interdite sous quelque forme que ce soit sans autorisation écrite du propriétaire. Propriété de c FCI. Droits de reproduction FCI.

All rights strictly reserved. Reproduction or issue to third parties in any form whatever is not permitted without written authority from the proprietor. Property of FCI. Copyright FCI.



PRODUCT NO. 51776-001-- NOTE: ③	ROWS D C B A	SIGNAL					POWER					
		6	5	4	3	2	1	P5	P4	P3	P2	P1
		M	M	M	M	M	M	PB	PB	PB	PD	PD
		L	L	L	L	L	L					
		K	K	K	K	K	K					
J	J	J	J	J	J							



CODE	DIM "M" MATING LENGTH	CONTACT TYPE
J	N/A [N/A]	SIGNAL
K	N/A [N/A]	SIGNAL
L	N/A [N/A]	SIGNAL
M	N/A [N/A]	SIGNAL
PB	.042 [1.07]	POWER
PD	.092 [2.34]	POWER

mat'l code				SEE NOTE 2		tolerances unless otherwise specified		CUSTOMER		 www.fciconnect.com	
ltr	ecn no.	dr	date	linear	.XX±.01/0.XX±0.3	projection		COPY		title	
A	V21514	TAB	10/07/02		.XXX±.005/0.XX±0.13			A		5P + 24S	
B	DG05-0231	SJ	07/18/05	angles	.XXX±.0020/0.XXX±0.051			INCH/MM		R/A SOLDER RECEPTACLE	
C	DG08-0251	W D	09/15/08		0°±2°	scale		1:1		product family	
				dr	T. BRUNGARD 10/07/02					PwrBlade	
				engr	M. MOSTOLLER 10/07/02					code	
				chr	M. MOSTOLLER 10/07/02					213	
				appd	M. MOSTOLLER 10/07/02					sheet	
				sheet index	1					1 of 4	
				revision sheet	C 1						
					C 2						
					C 3						
					C 4						

Pro/E

PDM: Rev: C

STAT: Released

Printed: Sep 21, 2008

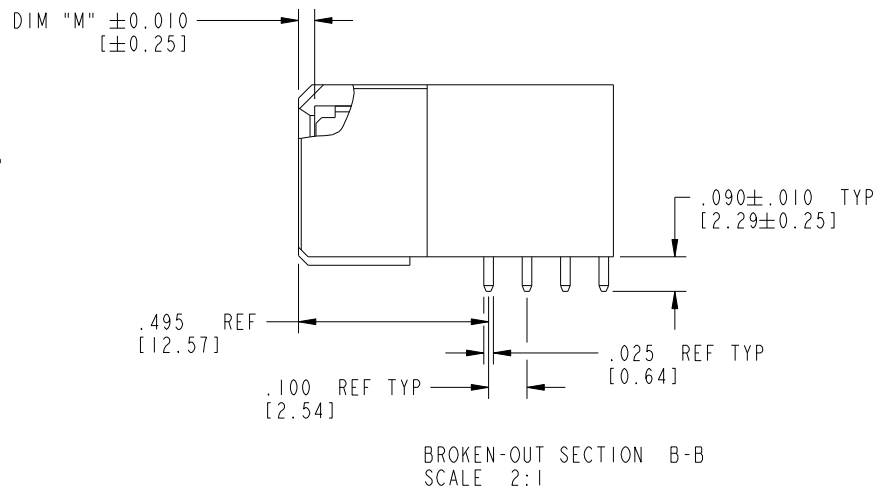
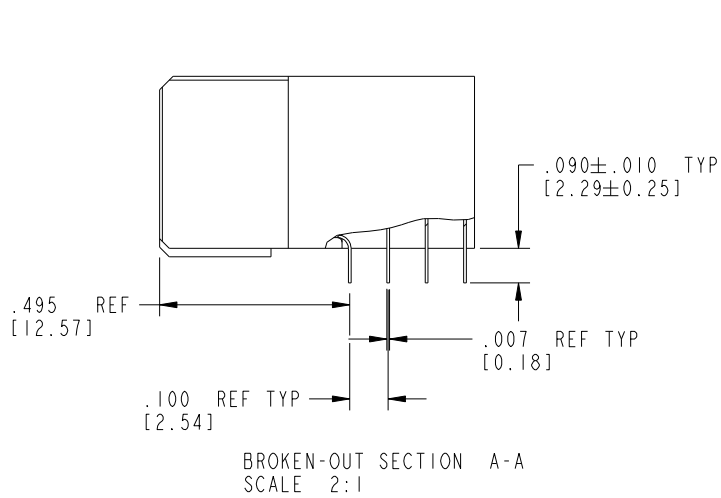
cage code 28536

Tous droits strictement réservés. Reproduction ou communication a des tiers interdite sous quelque forme que ce soit sans autorisation écrite du propriétaire. Propriété de c FCI. Droits de reproduction FCI.

All rights strictly reserved. Reproduction or issue to third parties in any form whatever is not permitted without written authority from the proprietor. Property of FCI. Copyright FCI.



PRODUCT NUMBER
51776-001--
NOTE: ③



mat'l code		SEE NOTE 2		tolerances unless otherwise specified		CUSTOMER		FCI	
lir	ecn no.	dr	date	linear	.XX±.01/0.X±0.3	COPY		www.fciconnect.com	
C				projection	.XX±.005/0.XX±0.13	INCH/MM		title	
				angles	.XXX±.0020/0.XXX±0.051	1:1		5P + 24S R/A SOLDER RECEPTACLE	
				dr	T. BRUNGARD 10/07/02	scale		product family	
				enrg	M. MOSTOLLER 10/07/02	1:1		PwrBlade	
				chr	M. MOSTOLLER 10/07/02			code	
				appd	M. MOSTOLLER 10/07/02			213	
sheet index		revision sheet						size	
								dwg no	
								A 51776-001	
								sheet	
								2 of 4	

Pro/E

PDM: Rev: C

STATUS: Released

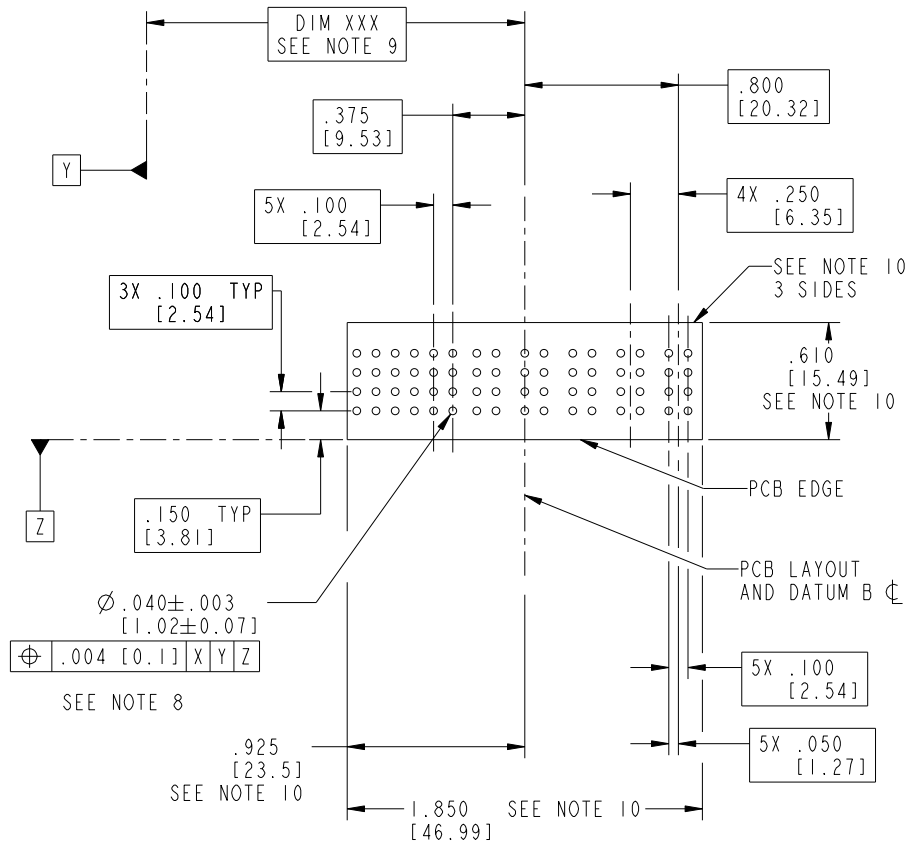
Printed: Sep 21, 2008

Tous droits strictement réservés. Reproduction ou communication a des tiers interdite sous quelque forme que ce soit sans autorisation écrite du propriétaire. Propriété de c FCI. Droits de reproduction FCI.



All rights strictly reserved. Reproduction or issue to third parties in any form whatever is not permitted without written authority from the proprietor. Property of FCI. Copyright FCI.

PRODUCT NUMBER
51776-001--
NOTE: ③



RECOMMENDED PCB LAYOUT

mat'l code		SEE NOTE 2		tolerances unless otherwise specified		CUSTOMER		FCI	
ltr	ecn no.	dr	date	linear	.XX±.01/0.X±0.3	COPY		www.fciconnect.com	
C				angles	.XX±.005/0.XX±0.13 .XXX±.0020/0.XXX±0.051 0°±2°	projection		title	
				dr	T. BRUNGARD 10/07/02	INCH/MM		5P + 24S	
				enrg	M. MOSTOLLER 10/07/02	scale		R/A SOLDER RECEPTACLE	
				chr	M. MOSTOLLER 10/07/02	1:1		product family	
				appd	M. MOSTOLLER 10/07/02	A		PwrBlade	
sheet index	revision sheet					size		code	
						51776-001		213	
								sheet	
								3 of 4	

cage code 28536

Pro/E

PDM: Rev: C

STATUS: Released

Printed: Sep 21, 2008

Tous droits strictement réservés. Reproduction ou communication a des tiers interdite sous quelque forme que ce soit sans autorisation écrite du propriétaire. Propriété de c FCI. Droits de reproduction FCI.



All rights strictly reserved. Reproduction or issue to third parties in any form whatever is not permitted without written authority from the proprietor. Property of FCI. Copyright FCI.

1 | 2

3

4

PRODUCT NUMBER

51776-001--
NOTE: ③

NOTES:

1. DIMENSIONS AND TOLERANCES ARE IN ACCORDANCE WITH ASME Y14.5M, 1994 UNLESS OTHERWISE SPECIFIED.

CONNECTOR NOTES:

② HOUSING MATERIAL: UL 94 V-0 GLASS FILLED HIGH-TEMP THERMOPLASTIC
POWER CONTACT MATERIAL: COPPER ALLOY
SIGNAL PIN MATERIAL: COPPER ALLOY

△ ③. SEE ITEM 5 & 6 IN PRINT 10064183 FOR PLATING SPEC OF 51776-001 AND 51776-001LF RESPECTIVELY.

④ MANUFACTURER'S NAME, P/N, AND DATE CODE TO APPEAR ON THIS SURFACE.

5. PRODUCT SPECIFICATION GS-12-149.
APPLICATION SPECIFICATION BUS-20-067.

PCB NOTES:

6. ALL HOLE DIAMETERS ARE FINISHED HOLE SIZE.

⑦ MOUNTING HOLES, WHERE APPLICABLE, ARE UNPLATED.

⑧ $\varnothing .0453 \pm .0010$ [1.151 \pm 0.025] DRILLED HOLES PLATED WITH
.0003 [0.008] MIN SnPb OVER .001 [0.03]
TO .003 [0.08] Cu PLATING TO ACHIEVE
 $\varnothing .040 \pm .003$ [1.02 \pm .07] HOLE.

⑨ "DIM XXX" TO BE DETERMINED BY THE CUSTOMER.

⑩ CONNECTOR KEEP-OUT ZONE.

11. A △ SYMBOL WILL BE NEXT TO ANY DIMENSION, VIEW, OR NOTE WHICH HAS BEEN MODIFIED WITH THE CURRENT DRAWING REVISION.

mat'l code		SEE NOTE 2		tolerances unless otherwise specified		CUSTOMER		FCI		www.fciconnect.com	
ltr	ecn no.	dr	date	linear	.XX±.01/0.X±0.3	COPY		title		5P + 24S	
C				projection	.XXY±.005/0.XX±0.13	INCH/MM		R/A SOLDER RECEPTACLE		product family	
				angles	.XXX±.0020/0.XXX±0.051	scale		PwrBlade		code	
				dr	0° ± 2°	1:1		size		213	
				engr	T. BRUNGARD 10/07/02			dwg no		sheet	
				chr	M. MOSTOLLER 10/07/02			A		4 of 4	
				appd	M. MOSTOLLER 10/07/02			51776-001			
sheet index	revision sheet										

A

A

B

B

1 | 2

Pro/E

PDM: Rev: C

STATUS: Released

Printed: Sep 21, 2008

cage code 22526

4